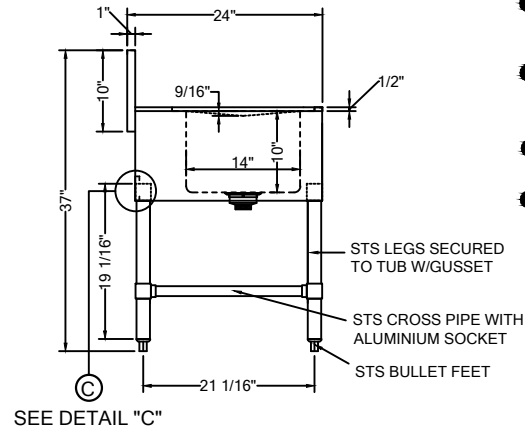
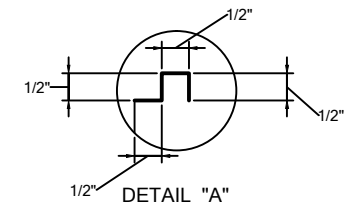


FRONT ELEVATION

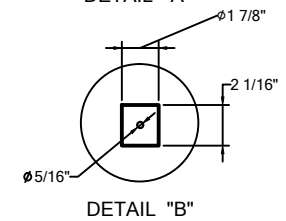


PLAN VIEW

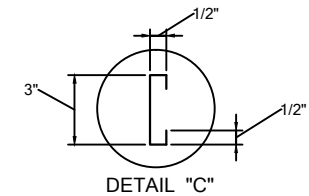
- 18 GA. 304 STAINLESS STEEL CONSTRUCTION.
- STS LEGS WITH ADJUSTABLE STS BULLET FEET.
- DECK MOUNT FAUCET HOLES ON 4" O.C.
- DRAIN BASKET INCLUDED.



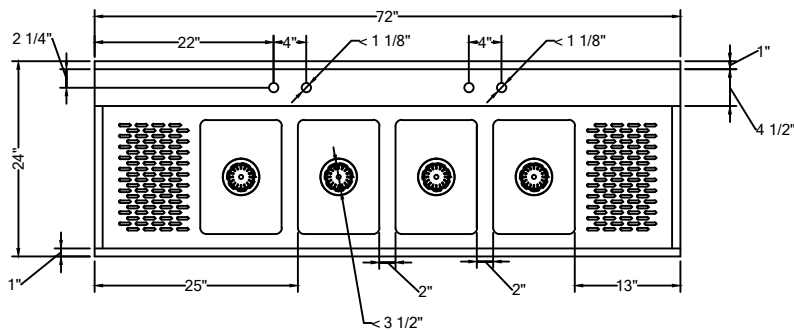
DETAIL "A"



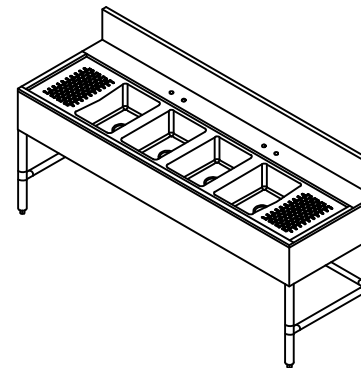
DETAIL "B"



DETAIL "C"



PLAN VIEW



ISOMETRIC

| DRAWIN FOR : | MAT. | TOP : 18GA. 304S/S | DATE | REVISIONS |
|--------------------------|------------------------|--------------------|-----------------|--|
| | | BASE : | Jun / 26 / 2017 | Changed model name |
| REF. NO : | REQ'D/ITEM : | | May / 17 / 2018 | Changed name of TA-BS32472LR to TA-BS42472LR |
| ITEM NAME : Bar Sink | DATE : May / 17 / 2018 | | | |
| PROD. NO. : TA-BS42472LR | BY : | | | |
| SCALE: 1/2" =1'-0" | CHECKED BY : | | | |

Tarrison
Products Ltd.